

2025-07-16

**English (EN)**

**93033-002**

0000000149-004

SW:

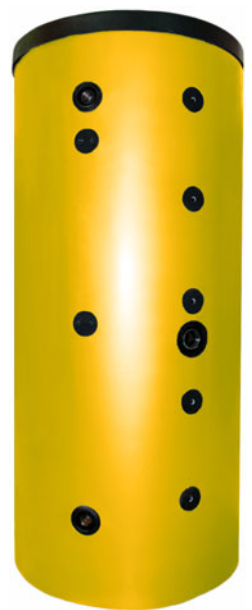
HW:



## ECO-Buffer 500

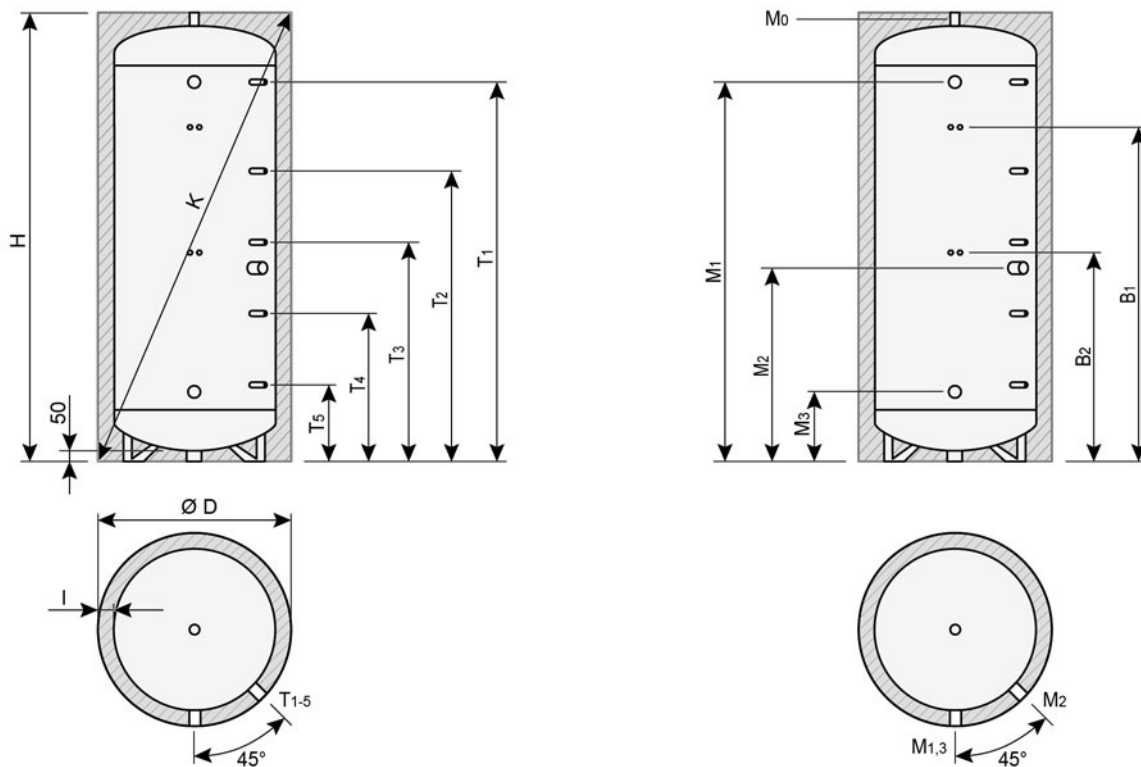


### Technical data



# 1 Technical data

The number and positions of the connections are optimized for the ETA hydraulics and control system.



Technical data

Technical data		Unit	ECO 500
Volume		l	501
Maximum permissible operating pressure		bar	3
Maximum permissible operating temperature		°C	95
Energy efficiency index <sup>a</sup>			B
Energy efficiency calculation factor <sup>a</sup>			0.83
Heat retention loss <sup>S</sup>		W	73.7
Total weight		kg	62
I	Insulation thickness	mm	60
Ø D	Diameter (with insulation)	mm	750
H	Height (with insulation)	mm	1740
K	Tilted height (with insulation)	mm	1895

a) Product information required in accordance with EU Regulation 814/2013

## Position height of the couplings and immersion sleeves

Position height		Unit	ECO 500
B <sub>1</sub>	Attachment (fresh water module)	mm	1295
B <sub>2</sub>		mm	810
M <sub>0</sub>	1" coupling	top	
M <sub>1</sub>		mm	1470
M <sub>2</sub>		mm	750
M <sub>3</sub>	6/4" coupling	mm	270
T <sub>1</sub>	Immersion sleeve ø 9 mm (for temperature sensor)	mm	1470
T <sub>2</sub>		mm	1125
T <sub>3</sub>		mm	850
T <sub>4</sub>		mm	575
T <sub>5</sub>		mm	300